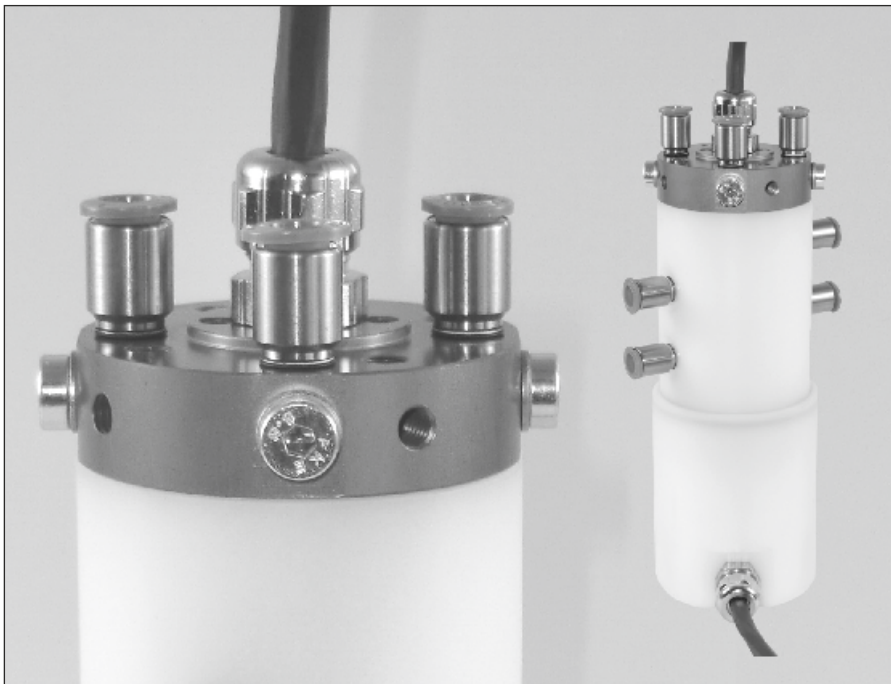


PNEUMATIC ROTARY COUPLINGS

Nominal diameter 3, pmax. 10 bar



Application example: four passage rotary coupling for pneumatics with electrical rotary connection. For technical data and other design variations please see pages 2 and 3.

Description:

Pneumatic rotary couplings transfer compressed air from a stationary to a rotating machine part. The mounting is made in the rotational axis of the component. For that, we offer versions with single, twin and four passages.

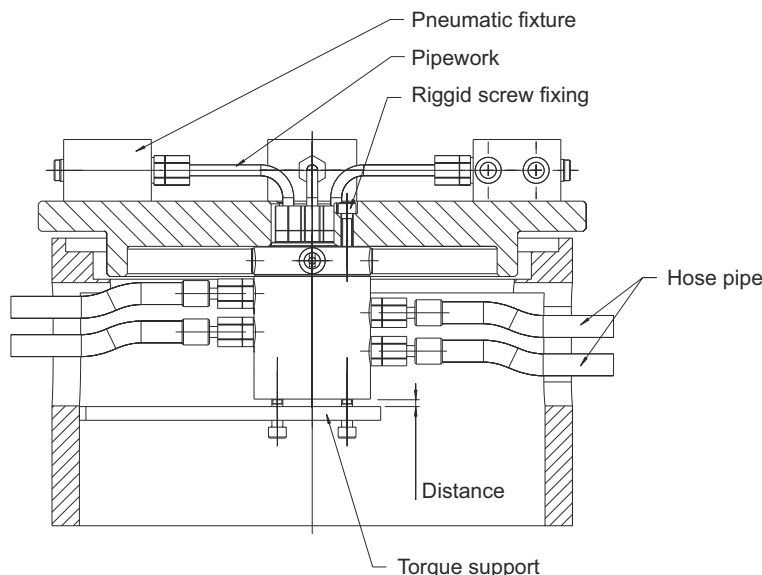
The pneumatic rotary couplings from Hydrokomp can be combined with electrical rotary connections by slip rings for 6, 12, 18 or 24 strands at 24 Vdc and 2A.

Installation instructions:

The rotary coupling has to be mounted in a way to not apply bending moment to the stationary or the rotating component.

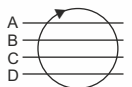
It has proven effective to screw the (rotating) rotary piston with the connections together with the pneumatic devices and to secure the rotating housing only against twisting (do not initiate bearing forces).

Mounting example:



Webcode: 080001

We also design and manufacture special designs



Connection:

- ⊗ Thread M5, radial within the housing, radial or axial within the piston

Operating pressure:

- ⊗ maximum 10 bar

Operating temperature:

- ⊗ -10° C up to +60° C

Advantages:

- ⊗ Housing made of robust plastics
- ⊗ Rotary piston made of aluminium
- ⊗ Light weight
- ⊗ Combinable air- and electrical rotary connection

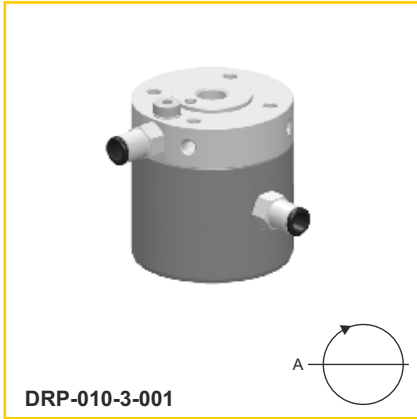
HYDROKOMP®
Hydraulische Komponenten GmbH

Siemensstraße 16, 35325 Mücke (Germany)
Phone: +49 6401 225999-0
Fax: +49 6401 225999-50
E-mail: info@hydrokomp.de
Internet: www.hydrokomp.de

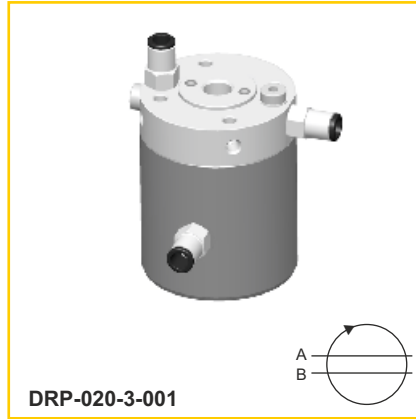


Pneumatic rotary couplings

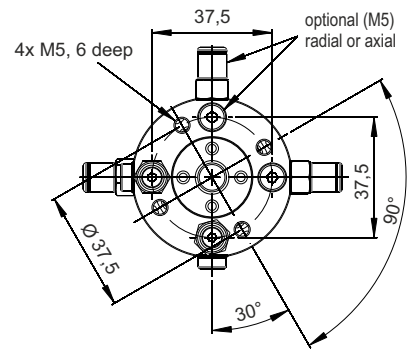
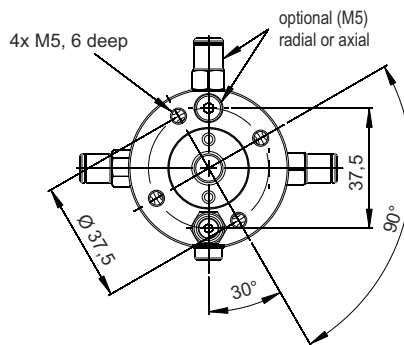
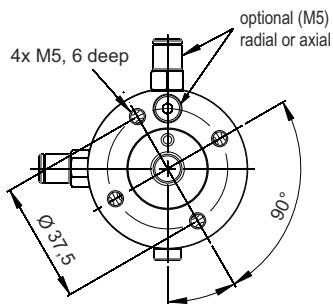
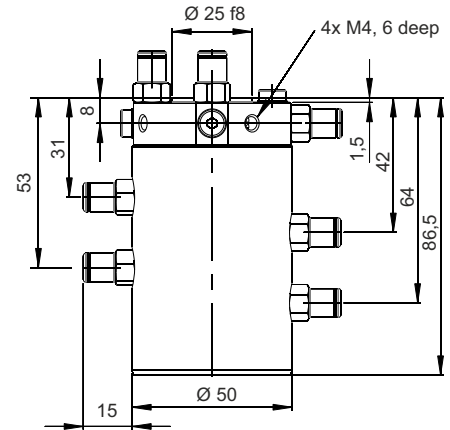
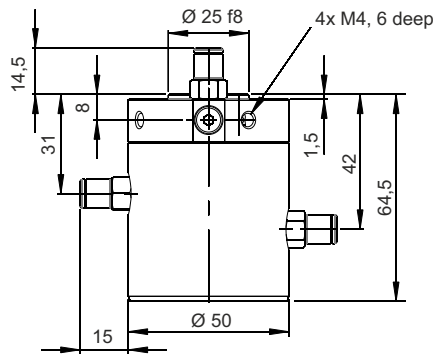
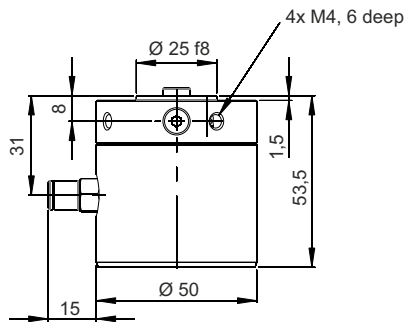
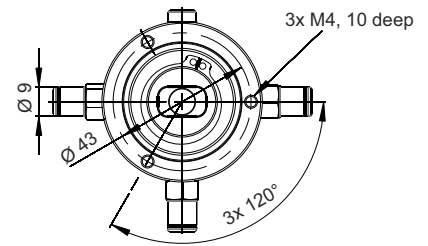
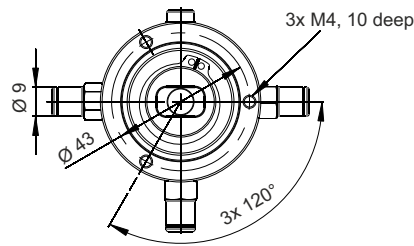
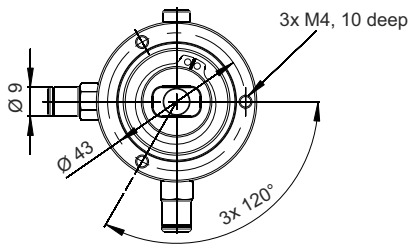
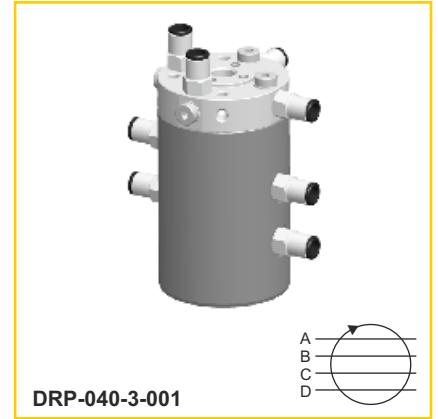
Single passage



Twin passage



Four passage



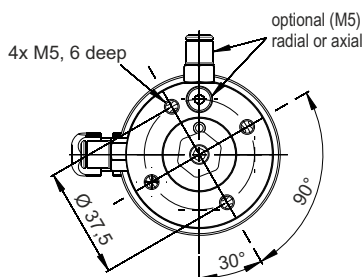
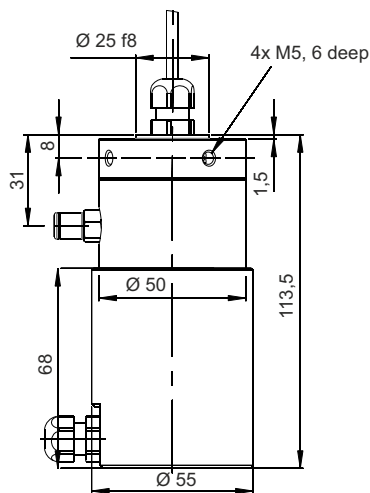
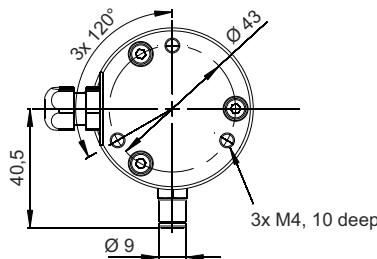
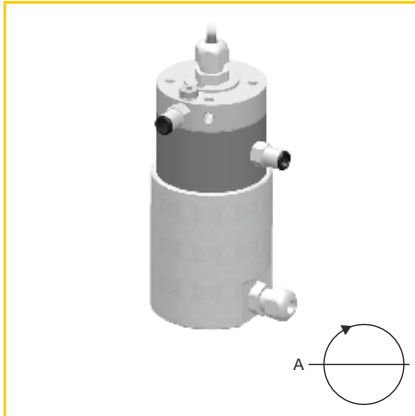
Connections, pneumatic

	Single passage	Twin passage	Four passage
Nominal diameter	3	3	3
Operating pressure [bar]	0-10	0-10	0-10
Starting torque [Nm]	0,4	0,6	1,0
Rotational speed, max. [1/min]	60	60	60
Weight approx. [kg]	0,24	0,28	0,37
Order no.	DRP-010-3-001	DRP-020-3-001	DRP-040-3-001

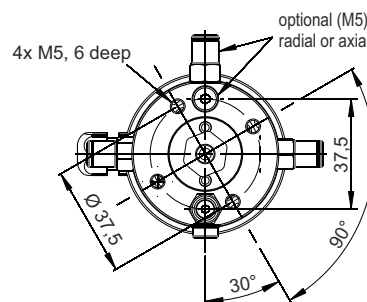
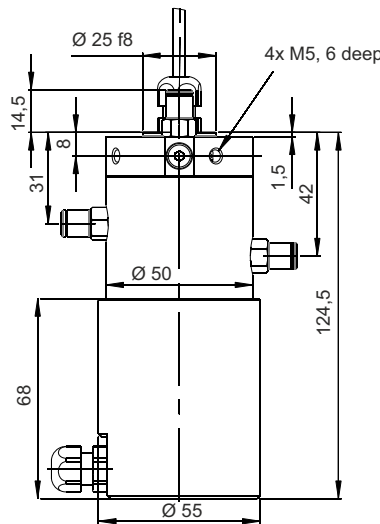
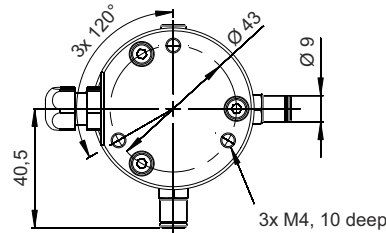
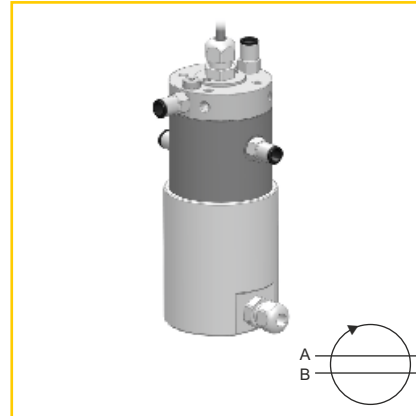


Pneumatic rotary coupling with electrical rotary connection

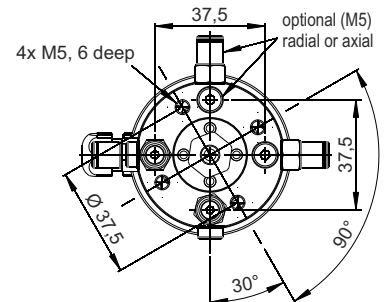
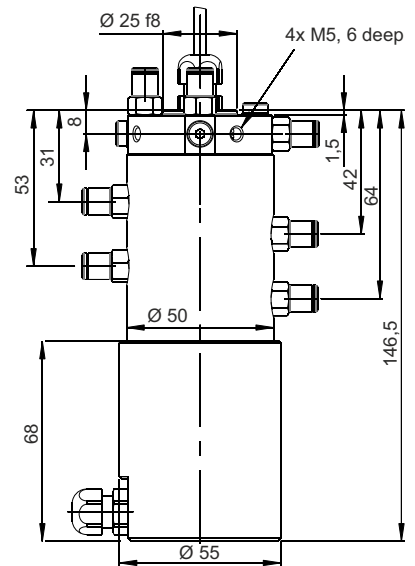
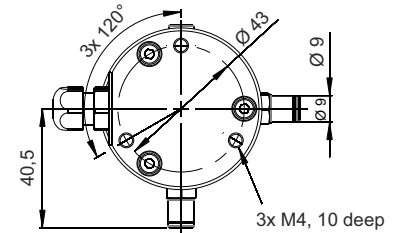
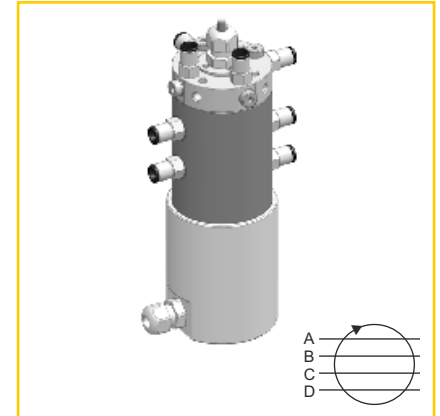
Single passage, elect. rotary connection



Twin passage, elect. rotary connection



Four passage, elect. rotary connection



Connections, pneumatic		Single passage	Twin passage		Four passage	
Electr. connection, each strand		2 A, 24 VDC		2 A, 24 VDC		2 A, 24 VDC
Protection grade		IP 51		IP 51		IP 51
Cable length, each [mm]		1000		1000		1000
Nominal diameter		3		3		3
Operating pressure [bar]		0-10		0-10		0-10
Starting torque [Nm]		0,5		0,7		1,1
Rotational speed, max. [1/min]		60		60		60
	Weight [kg]	Order no.	Weight [kg]	Order no.	Weight [kg]	Order no.
6 Strands	0,48	DRP-010-3-002	0,53	DRP-020-3-002	0,62	DRP-040-3-002
12 Strands	0,52	DRP-010-3-003	0,57	DRP-020-3-003	0,66	DRP-040-3-003
18 Strands	0,57	DRP-010-3-004	0,61	DRP-020-3-004	0,70	DRP-040-3-004
24 Strands	0,60	DRP-010-3-005	0,65	DRP-020-3-005	0,74	DRP-040-3-005